

Torque Motor

20 Watt

Frame Size: 90 mm

Continuous Rating, TE Aluminium body.
Rotates in Clockwise or Counter Clockwise Direction.
Terminal Box or Open Lead Wires for Connection.



Specifications:

Model	Supply Voltage	Frequency Hz	Current A	Starting Torque N.m	Torque at Max Power N.m	Max Input Power W	Capacitor μ F
90 TW 4 <input type="checkbox"/> 20	Single Phase 110V	50	0.70	0.085	0.06	60	12
90 TW 4 <input type="checkbox"/> 20	Single Phase 110V	60	0.70	0.01	0.06	54	12
90 TX 4 <input type="checkbox"/> 20	Single Phase 230V	50	0.30	0.085	0.06	60	4.0
90 TY 4 <input type="checkbox"/> 20	Three Phase 230V	50	0.33	0.085	0.06	60	—
90 TY 4 <input type="checkbox"/> 20	Three Phase 230V	60	0.46	0.01	0.06	54	—
90 TY 4 <input type="checkbox"/> 20	Three Phase 415V	50	0.20	0.085	0.06	60	—

Type Of Shaft, G for Gear Shaft, R for Round Shaft

Gearbox Ratio:

Gear Ratio	3	3.6	5	6	7.5	9	12.5	15	18	25	30	36	50	60	75	90	100	120	150	180	

The Gear boxes are sold separately.

A coloured background indicates gear shaft rotation in same direction as motor shaft.

A white background indicates gear shaft rotation in opposite direction to the motor shaft.

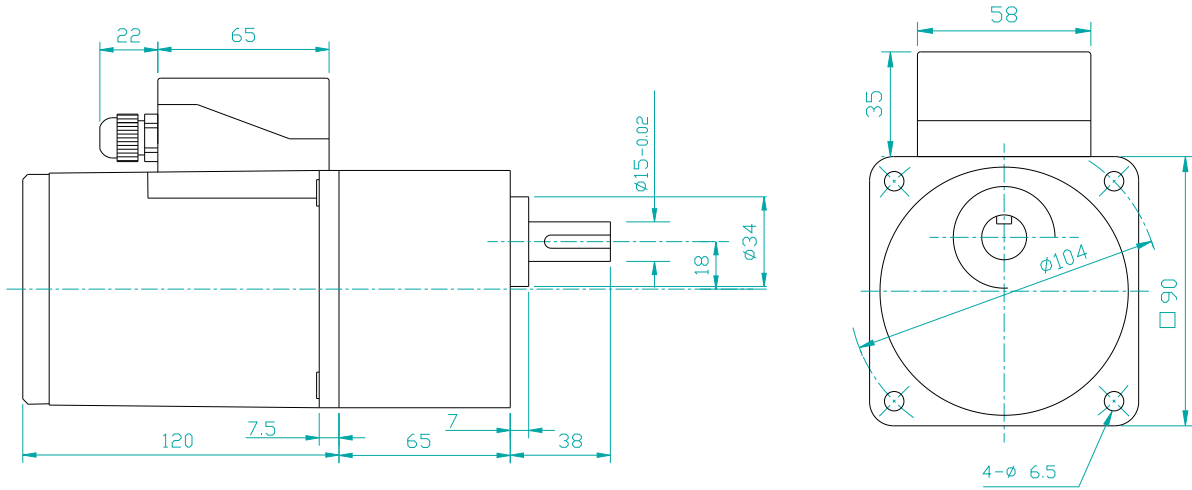
Torque increases as the speed drops.

The actual speed is less than the displayed value, depending upon the load.

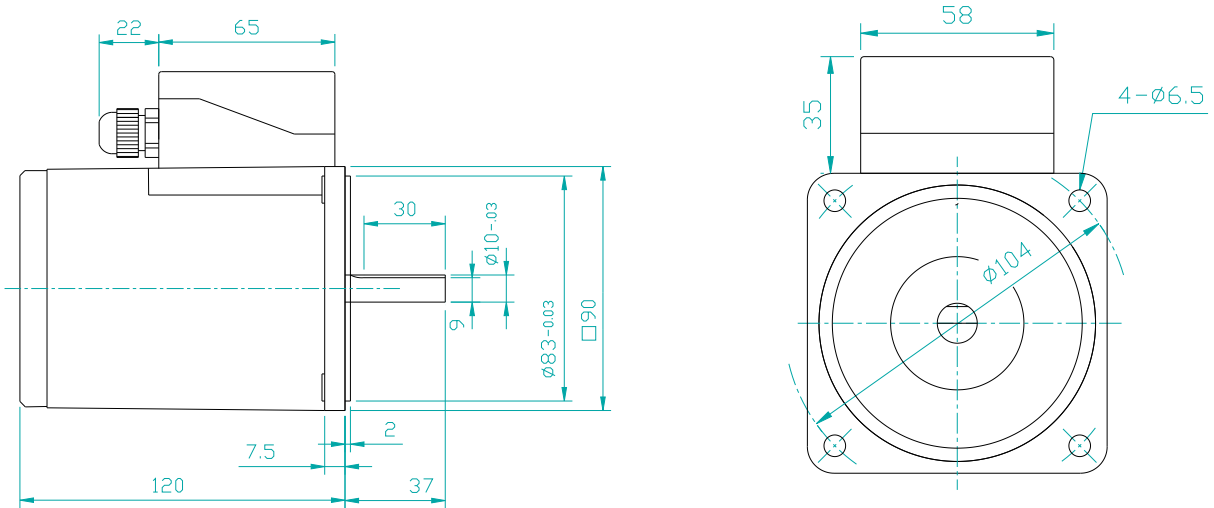
Characteristics, specifications and dimensions are subject to change without notice.

Dimensions:

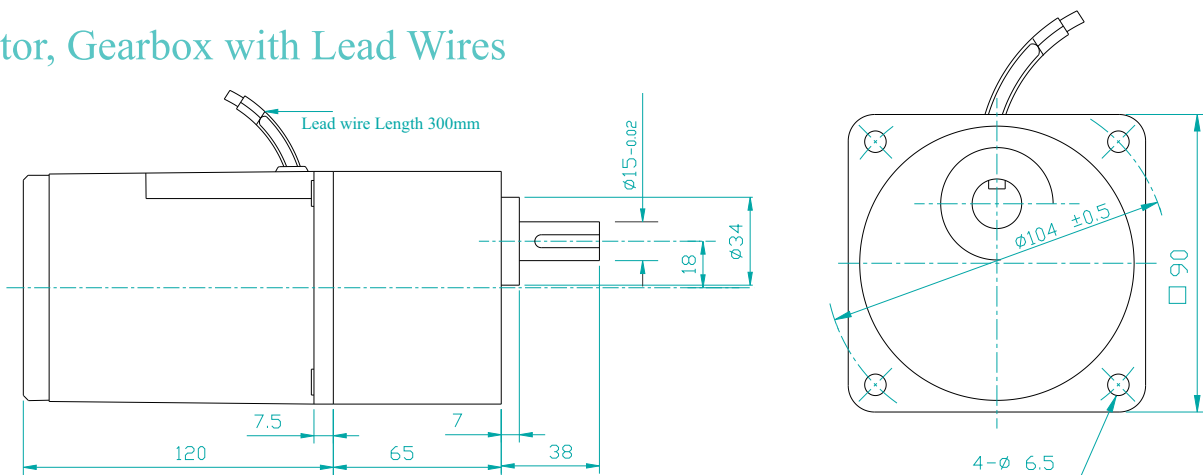
Motor, Gearbox with Terminal Box



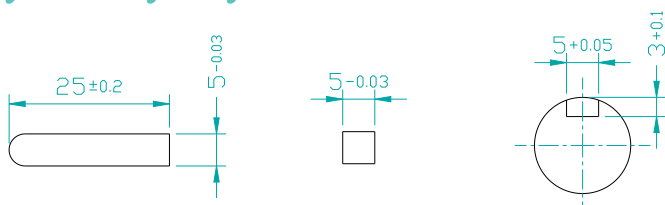
Motor Round Shaft with Terminal Box



Motor, Gearbox with Lead Wires



Key & Keyway



Weight: Motor 2.2 Kg

Gear Box 1.5 Kg

Torque Motor

Wiring Diagram:

Wiring Diagram for Single Phase Motor

<p>Short Black wires and connect as shown to rotate the motor in clockwise direction. To change the direction, flip CW to CCW.</p>	<p>Red wires are for running winding & Black wires are for starting winding. To change the direction, interchange Black wires or Red wires.</p>

Wiring Diagram for Three Phase Motor

<h4>Star Connection</h4>	<h4>Delta Connection</h4>
<p>To change the direction, interchange any two wires between U, V & W. For 415 Volt supply, wires are connected as shown. Short White, Black & Blue wire and then insulate properly.</p>	<p>To change the direction, interchange any two wires between U, V & W. For 230 Volt 3 Ph supply, wires are connected as shown.</p>

Change the direction of the motor only after it stops rotating. If the attempt is made during rotation, motor may ignore the reversing command or change the direction after some time.